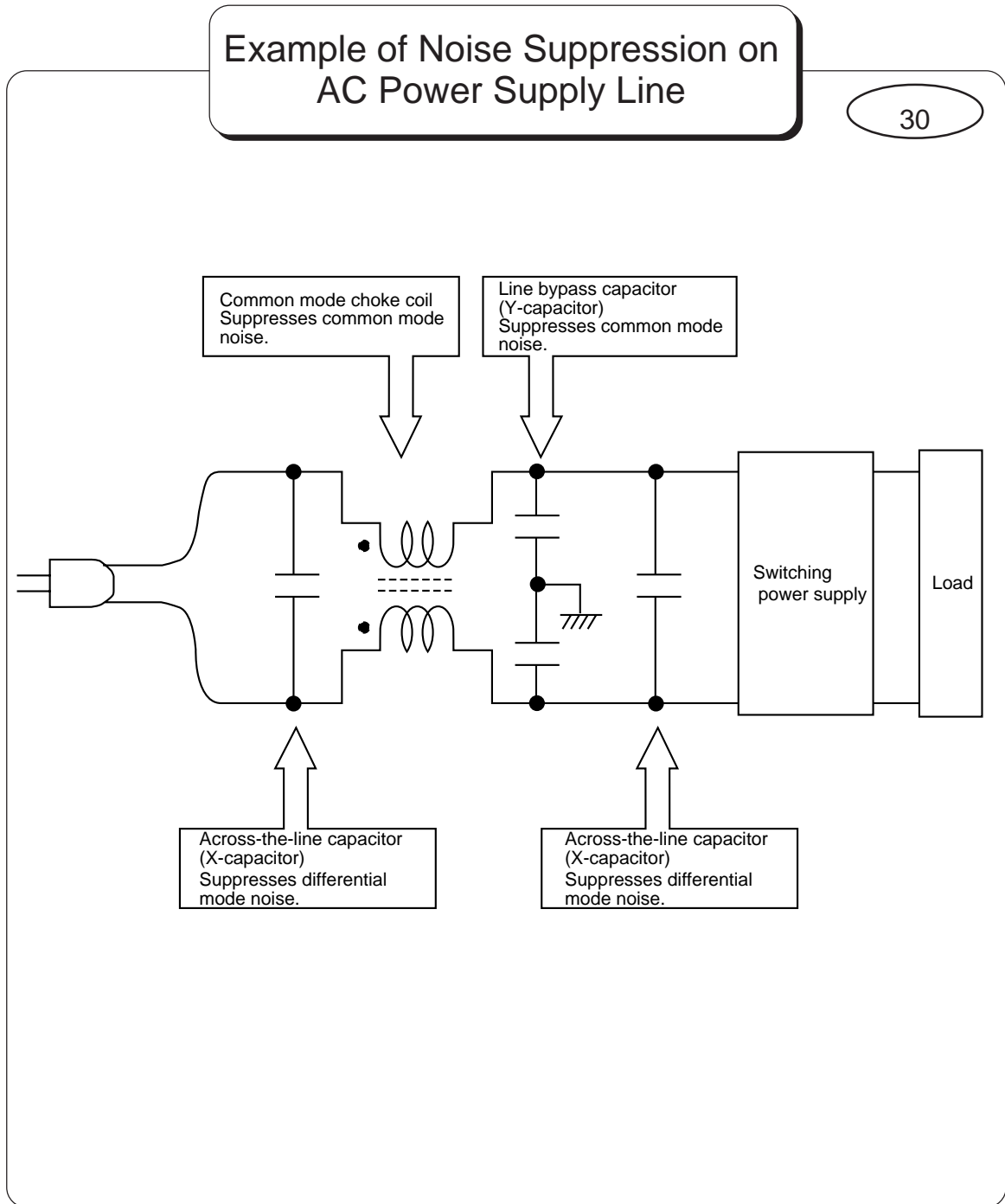


4. Other Filters

4.3. Example of Noise Suppression by using Common mode Choke Coils



The above drawing shows an example of noise suppression on an AC power supply line.

[Notes]

Common mode noise is suppressed by using a common mode choke coil and capacitor (line bypass capacitor or Y-capacitor) installed between each line and the metallic casing. The Y-capacitor returns noise to the noise source in the following order; Y-capacitor → metallic casing → stray capacitance → noise source.

Differential mode noise is suppressed by installing capacitors(X capacitors) across the supply line.