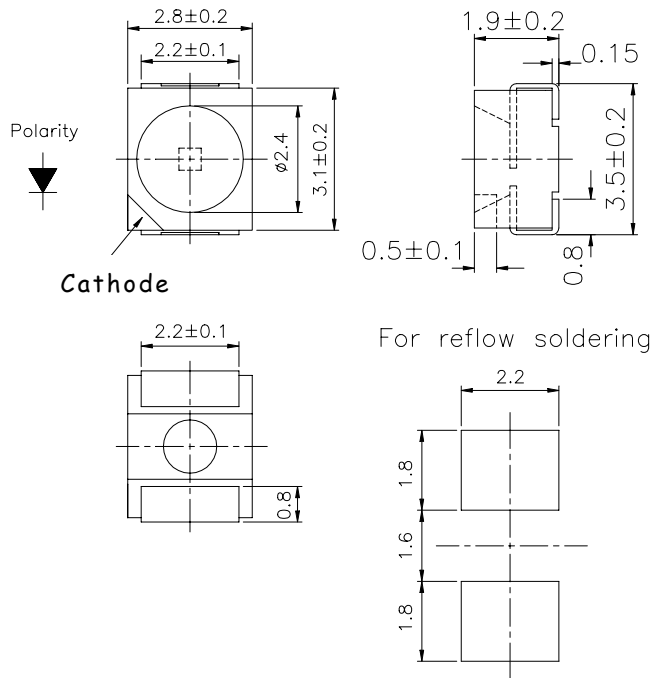


# AIGaAs PHOTODIODE

EPD-740-1

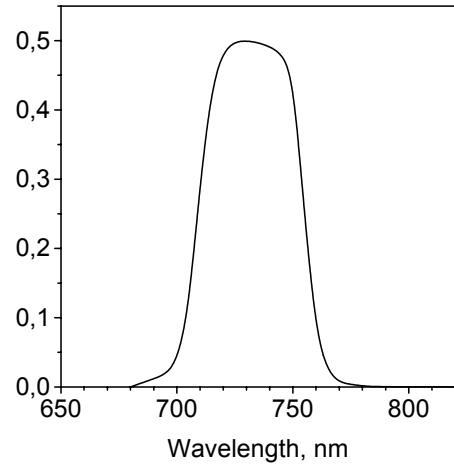
Outline (dimensions in millimeters)



## Features:

- PLCC-2 case (TOP-LED)
- Narrow response range
- 740 nm peak response

Typical spectral responsivity, A/W



## Optical and Electrical Characteristics ( $T_a = 25^\circ\text{C}$ )

Parameter	Test conditions	Symbol	Min	Typ	Max	Unit
Active area		A		0.13		mm <sup>2</sup>
Peak sensitivity		$\lambda_{Smax}$	720	740	760	nm
Responsivity at 740 nm	$V_R = 0\text{ V}$	$S_\lambda$		0,5		A/W
Spectral bandwidth at 50%		$\Delta\lambda_{0,5}$		50		nm
Short-circuit current	$V_R = 0,$ $E_e = 1\text{mW/cm}^2$	$I_{SC}$		1		$\mu\text{A}$
Dark current	$V_R = 5\text{ V}$ $E_e = 0$	$I_D$		40	200	pA
Reverse breakdown voltage	$I_R = 10\ \mu\text{A}$	$V_{BR}$		10		V
Junction capacitance	$V_R = 0, E_e = 0$	C		40		pF
Rise time	$R_L = 50\ \Omega,$	$t_r$		15		ns
Fall time	$V_R = 5\text{ V}$	$t_f$		30		

## Absolute Maximum Ratings

Storage temperature	-40°C to +90°C
Operating temperature	-40°C to +85°C
Soldering temperature	240°C

rev.05/01